

DEERFIELD™ PELLET STOVE



AWARDED
BEST NEW
PELLET STOVE



Brand, Patio & Barbecue
Expo
2017

DEERFIELD™

Premium, Large Capacity Cast Iron Pellet Stove

The Deerfield™ combines beautifully proportioned European castings with next generation technology, and optimum performance to bring you a revolutionary pellet stove that is both elegant and easy to live with. Graceful lines, a sleek glass fuel loading door and a large, mirrored ceramic glass viewing area offer a sophisticated look that will complement any home's décor.

Designed to burn all grades of wood pellet fuel, the Deerfield™ features long burn times, up to 35 hours* and efficient heat output that is evenly distributed throughout your home. A 25 pound cast iron heat exchanger significantly produces more heat when compared to traditional designs.

** Longer burn times are possible when using the on-board thermostat*

FEATURES YOU WILL LOVE:

- See through glass hopper door with LED lighting offers a quick reference to fuel level
- Elegant design with exquisite quality cast iron construction
- Award-winning TouchSmart™ Control Panel with standard on-board thermostat
- Huge 60 lb. hopper capacity provides longer burn times between refueling
- Heats up to 2,500 square feet
- Easily removable ash pan
- Super-efficient air wash system keeps ceramic viewing glass clean
- Burns all grades of wood pellet fuel
- Sound dampening on all components for quiet operation
- Easy to clean, maintain and live with
- BTU Output: 49,200 – 13,940 BTUs/Hr.
- One of the cleanest burning pellet stoves ever tested, EPA Certified at 0.73 Grs./Hr.*
- Up to 78%** Overall Efficiency
- Burn Rate: 1.7 - 6.0 lbs. per hour
- 3" venting installation
- When the stove is not in operation, a reflective coating on the ceramic glass conceals the fire pot and burn chamber. When in operation, the mirrored surface disappears for enjoyment of the fire
- Electronic ignition for easy startup
- Twin 90 CFM fans circulate heat to your room
- Heavy duty construction ensures years and years of dependable heat

**This pellet stove meets the 2015 U. S. EPA's pelletized wood emissions limits for pellet stoves sold after May 15th, 2015. Tested to Method 28, 5G2, this pellet stove has been shown to deliver heat at ranges from 13,940 to 49,000 BTU/Hr. and an emission value of 0.73 g/h.*

***As tested using CSA B415.1*

OPTIONS

- Outside Air Kit
- Basic 3" Horizontal Vent Kit - Includes pipe, flue adapter, wall thimble and cap
- Basic 3" Horizontal Corner Vent Kit - Includes pipe, elbow, flue adapter, wall thimble and cap

TESTING

Listed Pelletized Solid Fuel Burning Appliance. Also for use in mobile homes. Certified for the US and Canada. Conforms to ASTM E1509-12, Room Heater Pellet Burning Type (UM) 84 HUD; Certified to ULC S627. Tested and listed for mobile homes in accordance with OAR 814-23-900 through 814-23-909. Tested and Listed by Intertek.



Beautifully Proportioned Cast Iron Design



Large Capacity Ash Pan



Easy Access Door for Cleaning Stove



Huge 60 lb. Hopper Capacity

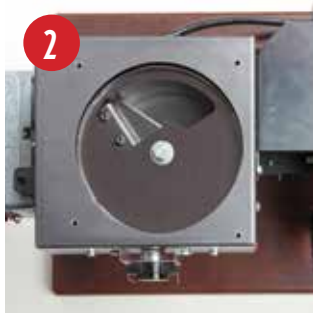


Illuminated TouchSmart™ Control Panel in Glass Fuel Loading Door

EASY TO OWN & OPERATE!



1. Large Capacity 60 lb. Hopper
2. Horizontal Rotary Disc (HRD™): The HRD™ Feed System is a High Precision Mechanism Designed to Deliver All Grades of Pellets to the Burn Chamber



Watch a video on how the HRD works

3. High Torque Drive Motors for HRD™ and Auger
4. Heavy Duty 304 Grade Stainless Steel Burn Chamber Burns All Grades of Pellets
5. Electronic Pellet Igniter
6. Large Capacity Ash Pan (Fewer Cleaning Cycles)
7. Quiet 100 CFM Combustion Fan
8. Outside Combustion Air, 3" Intake Diameter
9. Preheated Chamber for Air Delivered to the Air Wash
10. Air Wash to Keep Glass Clean
11. Mirrored Ceramic Glass
12. Stainless Steel Firebox Liners
13. 25 lb. Cast Iron Heat Exchanger for Maximum Convection Heat Transfer
14. 3" Exhaust Vent
15. Two High Heat Transfer 90 CFM Convection Fans for Quiet Heated Air Circulation
16. The award-winning TouchSmart™ control panel is seamlessly integrated into the glass fuel loading door and operates every function of the Deerfield™ with ease



Seven Control Functions:

1. Fan Setting - Slide control modifies convection fan output.
2. Digital Display - Provides system feedback to the user.
3. Heat Setting - Slide control modifies burn rate.
4. Power Button - ON/OFF
5. Menu - Allows access to thermostat set point settings, internal or external thermostat selection.

There are three thermostat program choices:

- I. FAST COOL
- II. SLOW COOL
- III. LOW BURN

and Screen Lock function.

6. Thermostat - Toggles between MANUAL and THERMOSTAT Mode.
7. Auto Fan Button - When active, links the fan setting to follow the heat setting (up and down).

TouchSmart™

ASK FOR A DEMONSTRATION AT
YOUR LOCAL DEALER

MINIMUM CLEARANCES TO COMBUSTIBLE WALLS

Stove clearances measured from top of stove.
Connector clearances measured from exhaust vent.

FLOOR PROTECTION

The pellet stove must be installed on a non-combustible surface protector extending the full width and depth of the heater and extending 6" (153mm) in front and 2" (51mm) to each side and under the rear exhaust Tee. Hearth protection must be a minimum .018" thick (26 gauge).

ALCOVE REQUIREMENTS

When installed in an alcove with a ceiling height less than 7 ft (2.134 M).

- Minimum Height is 60" with 6" side and 3" rear clearance to wall.
- Minimum Width is 40-1/4" with min. clearance of 3" for horizontal venting.
- Maximum depth is 48" with minimum clearance of 2" from pipe for vertical venting.

ELECTRICAL SPECIFICATIONS

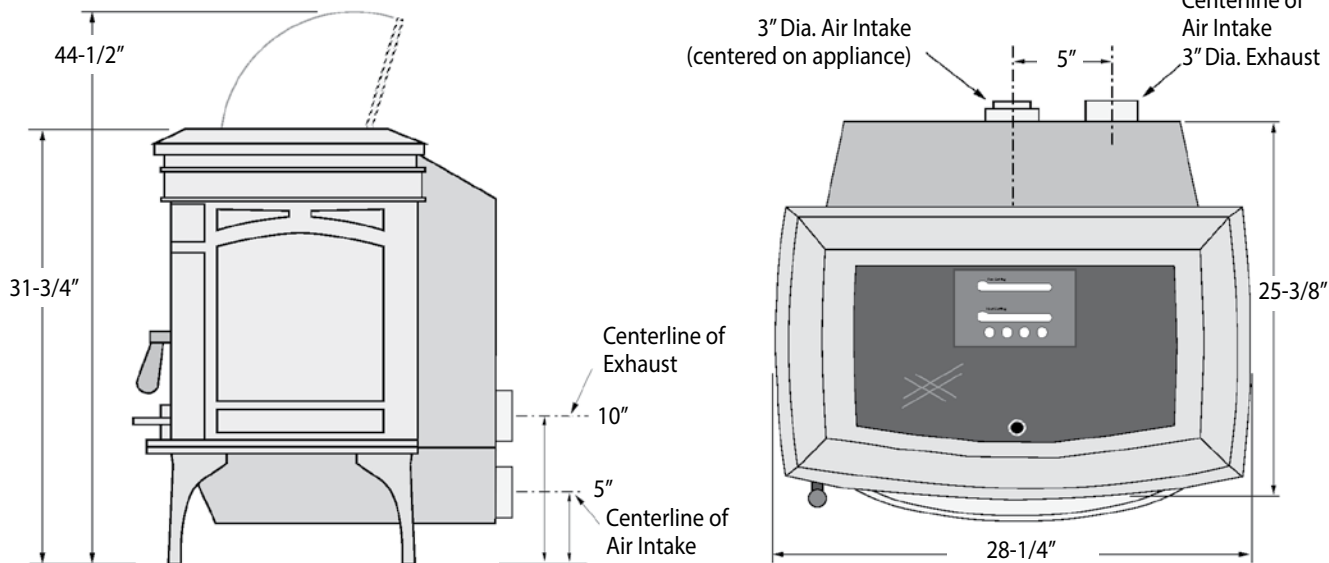
Electrical Rating: 115 Volts, 6 Amps, 60 Hz

Watts During Start-Up Sequence: 480

Watts During Operation: 300

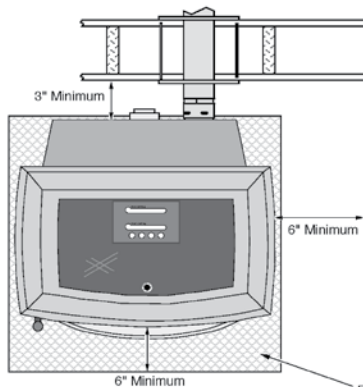
Use the installation illustrations as a guide only. For complete installation instructions please refer to your Lopi Dealer or go to the Deerfield™ product page at www.Lopistoves.com.
NOTE: Improper installation of your pellet appliance or failure to operate it in accordance to the guidelines detailed in the Owner's Manual may negate your warranty and endanger your home and family.

STOVE DIMENSIONS

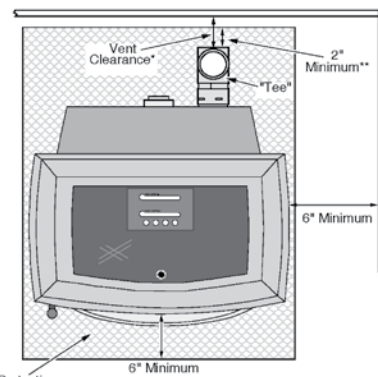


Straight Installations

Through the Wall Installation

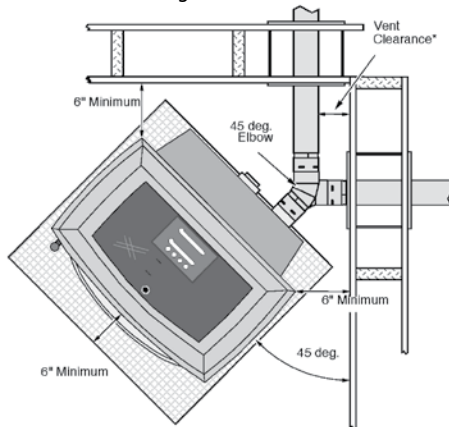


Interior Vertical Vents

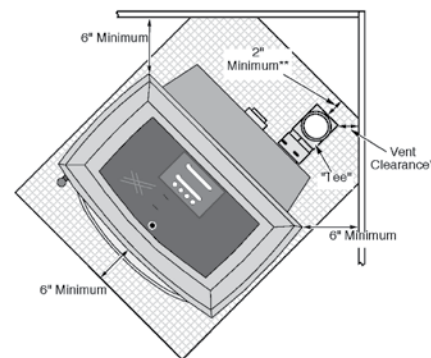


Corner Installations

Through the Wall Installation



Interior Vertical Vents



** The floor protection must extend 2" (51mm) beyond the pipe – all vent clearances must be met.

YOUR LOPI AUTHORIZED DEALER:



www.lopistoves.com
Manufactured in
Mukilteo, WA