

# FOX FIRE™ PELLET STOVE



# FOXFIRE™

## Premium Large Pellet Stove

The FoxFire™ offers all the benefits of wood heating plus fuel that is clean, compact and easy to use. The roaring flames are surrounded by a beautifully arched door that presents a timeless look and will complement any personal style. The fire viewing area features a super-efficient airwash system to keep the glass clean. With a large, easily removable ashpan and an 80 lb. hopper capacity, this stove has the ability to produce extremely long burn times up to 47 hours\* when burning on a low setting. The FoxFire™ pellet stove's 25 pound cast iron heat exchanger significantly produces more heat when compared to traditional designs.

*\* Longer burn times are possible when using the on-board thermostat*

### SPECIFICATIONS

- See through glass hopper door with LED lighting offers a quick reference to fuel level
- Elegant design with exquisite quality cast iron construction
- Award-winning TouchSmart™ Control Panel with standard on-board thermostat
- Huge 80 lb. hopper capacity provides longer burn times between refueling
- Heats up to 2,500 square feet
- Easily removable ash pan
- Super-efficient air wash system keeps ceramic viewing glass clean
- Burns all grades of wood pellet fuel
- Sound dampening on all components for quiet operation
- Easy to clean, maintain and live with
- BTU Output: 49,200 – 13,940 BTUs/Hr.
- One of the cleanest burning pellet stoves ever tested, EPA Certified at 0.73 Grs./Hr.\*
- Up to 78%\*\* Overall Efficiency
- Burn Rate: 1.7 - 6.0 lbs. per hour
- 3" venting installation
- When the stove is not in operation, a reflective coating on the ceramic glass conceals the fire pot and burn chamber. When in operation, the mirrored surface disappears for enjoyment of the fire
- Electronic ignition for easy startup
- Twin 90 CFM fans circulate heat to your room
- Heavy duty construction ensures years and years of dependable heat

*\*This pellet stove meets the 2015 U. S. EPA's pelletized wood emissions limits for pellet stoves sold after May 15th, 2015. Tested to Method 28, 5G2, this pellet stove has been shown to deliver heat at ranges from 13,940 to 49,000 BTU/Hr. and an emission value of 0.73 g/h.*

*\*\*As tested using CSA B415.1*

### ADDITIONAL OPTIONS

- Outside Air Kit
- Basic 3" Horizontal Vent Kit - Includes pipe, flue adapter, wall thimble and cap
- Basic 3" Horizontal Corner Vent Kit - Includes pipe, elbow, flue adapter, wall thimble and cap

### ELECTRICAL SPECIFICATIONS

Electrical Rating.....115 Volts, 6 Amps, 60 Hz  
Watts during Start-Up Sequence..... 480  
Watts during Operation..... 300

### TESTING

Listed Pelletized Solid Fuel Burning Appliance. Also for use in mobile homes. Certified for the US and Canada. Conforms to ASTM E1509-12, Room Heater Pellet Burning Type (UM) 84 HUD; Certified to ULC S627. Tested and listed for mobile homes in accordance with OAR 814-23-900 through 814-23-909. Tested and Listed by Intertek.



Large capacity Ash Pan in pedestal



Easy Access for Cleaning



Huge 80 lb. Hopper Capacity

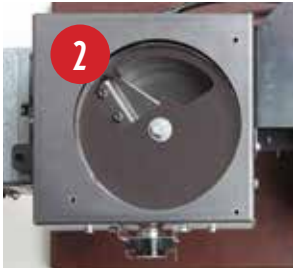


Illuminated Control Panel

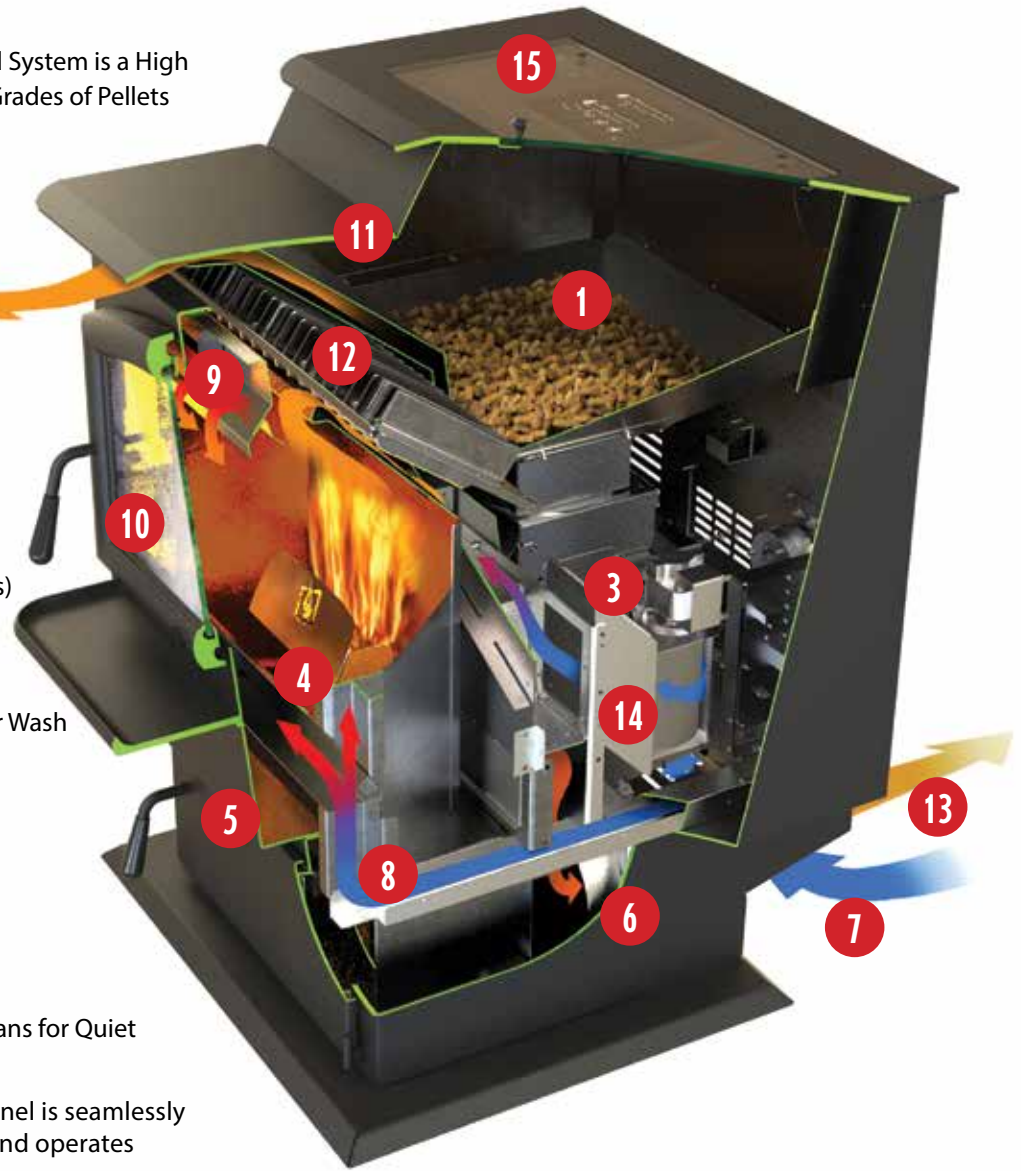


# EASY TO OWN & OPERATE!

1. Large Capacity 80 lb. Hopper
2. Horizontal Rotary Disc (HRD™): The HRD™ Feed System is a High Precision Mechanism Designed to Deliver All Grades of Pellets to the Burn Chamber



Watch a video on how the HRD works



3. High Torque Drive Motors for HRD and Auger
4. Heavy Duty 304 Grade Stainless Steel Burn Chamber Burns All Grades of Pellets
5. Large Capacity Ash Pan (Fewer Cleaning Cycles)
6. Quiet 100 CFM Combustion Fan
7. Outside Combustion Air, 3" Intake Diameter
8. Preheated Chamber for Air Delivered to the Air Wash
9. Air Wash to Keep Glass Clean
10. Mirrored Ceramic Glass
11. Heavy Duty Steel Construction
12. 25 lb. Cast Iron Heat Exchanger for Maximum Convection Heat Transfer
13. 3" Exhaust Vent
14. Two High Heat Transfer 90 CFM Convection Fans for Quiet Heated Air Circulation
15. The award-winning TouchSmart™ control panel is seamlessly integrated into the glass fuel loading door and operates every function of the Foxfire™ with ease

## TouchSmart™



Seven control functions:

- |                    |  |
|--------------------|--|
| 1. Fan Setting     | - Slide control modifies convection fan output.  |
| 2. Digital Display | - Provides system feedback to the user.  |
| 3. Heat Setting    | - Slide control modifies burn rate.  |
| 4. Power Button    | - ON/OFF   |
| 5. Menu            | - Allows access to thermostat set point settings, internal or external thermostat selection. |

There are three thermostat program choices:

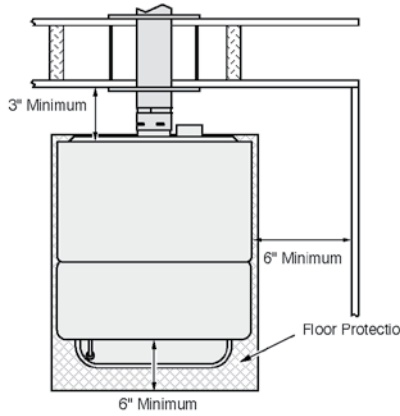
1. FAST COOL
2. SLOW COOL
3. LOW BURN

and screen lock function.

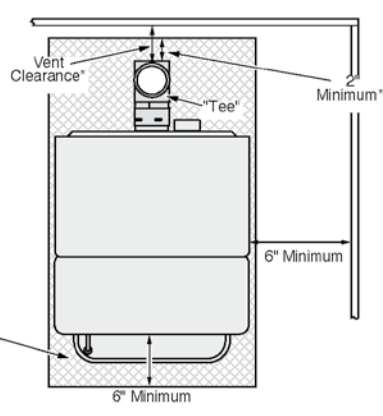
- |               |   |
|---------------|---|
| 6. Thermostat | - Toggles between MANUAL and THERMOSTAT Mode.   |
| 7. Auto Fan   | - When active, links the fan setting to follow the Button heat setting (up and down). |

ASK FOR A DEMONSTRATION AT  
YOUR LOCAL DEALER

### Straight - Through The Wall Installation



### Interior Vertical Vent Installation



## MINIMUM CLEARANCES TO COMBUSTIBLE WALLS

Stove clearances measured from top of stove.  
Connector clearances measured from exhaust vent.

## FLOOR PROTECTION

The pellet stove must be installed on a non-combustible surface protector extending the full width and depth of the heater and extending 6" (153mm) in front and 2" (51mm) to each side and under the rear exhaust Tee. Hearth protection must be a minimum .018" thick (26 gauge).

## ALCOVE REQUIREMENTS

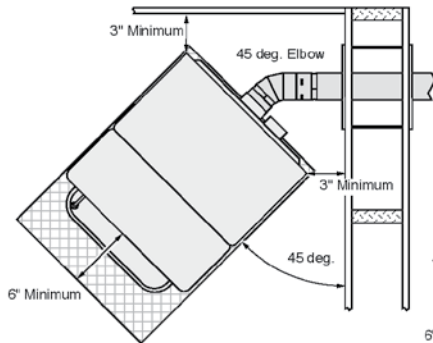
When installed in an alcove with a ceiling height less than 7 ft (2.134 M).

- Minimum Height is 60" with 6" side and 3" rear clearance to wall.
- Minimum Width is 37-1/2" with min. clearance of 3" for horizontal venting.
- Maximum depth is 48" with minimum clearance of 2" from pipe for vertical venting.

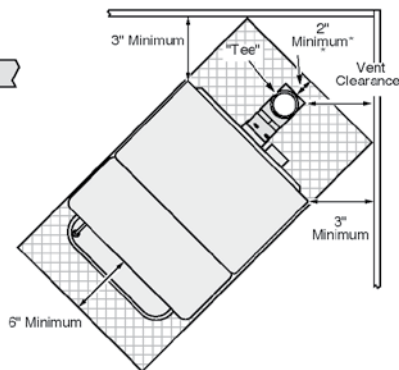
Use the installation illustrations as a guide only. For complete installation instructions please refer to your Lopi Dealer or go to the FoxFire™ product page at [www.Lopistoves.com](http://www.Lopistoves.com).

NOTE: Improper installation of your pellet appliance or failure to operate it in accordance to the guidelines detailed in the Owner's Manual may negate your warranty and endanger your home and family.

### Corner - Through The Wall Installation

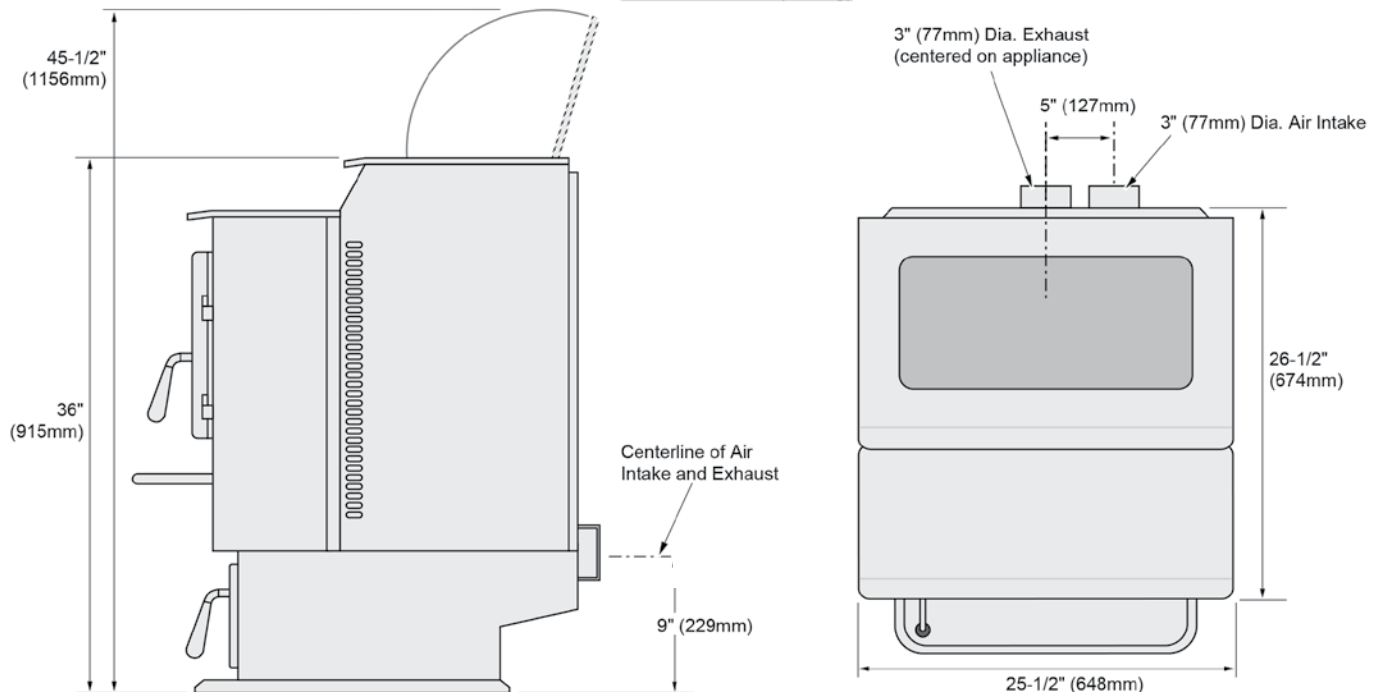


### Interior Vertical Vent Installation



## STOVE DIMENSIONS

WEIGHT: 340 lbs. (154 Kg)



**YOUR LOPI AUTHORIZED DEALER:**



[www.lopistoves.com](http://www.lopistoves.com)  
Manufactured in  
Mukilteo, WA